

GALAXY CVR / GALAXY CVR-D is a 24V DC low voltage aluminium profile.

It is an ideal solution for small showcases, homes, rest areas, museums, hotels, exhibition halls and generally for many decorative and architectural projects.

Technical Features

- Aluminium body, painted electrostatically in selected colour.
- Connection for operation with 24V DC.
- Pure light without IR/UV radiation.
- Efficient thermal management.
- Operation life: 50,000 hours with efficiency > 80% of the initial luminous flux (L80B10).

Upon Request

- Available also in 2700 Kelvin CRI 90.

GALAXY CVR/GALAXY CVR-D

GALAXY CVR 1 / GALAXY CVR 1 TWO WAY



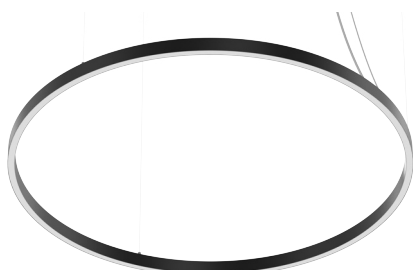
- Aluminium body, painted electrostatically in selected colour.
- Opal silicone cover.
- Suspension and power supply are not included.
- Luminous Efficacy:
144 Lm/W at 4000K - CRI: min. 90 / SDCM: 1
140 Lm/W at 3000K - CRI: min. 90 / SDCM: 1

GALAXY CVR 2 / GALAXY CVR 2 TWO WAY

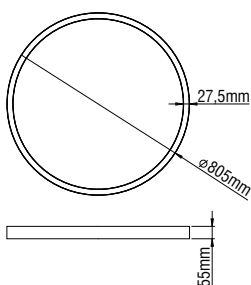


Code	Description
82092101	Galaxy CVR 1 38W
82092102	Galaxy CVR 2 57W
82092103	Galaxy CVR 3 71W
82092104	Galaxy CVR 1 Two Way 38W/38W
82092105	Galaxy CVR 2 Two Way 57W/57W
82092106	Galaxy CVR 3 Two Way 71W/71W

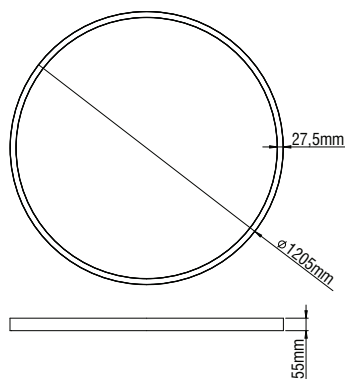
GALAXY CVR 3 / GALAXY CVR 3 TWO WAY



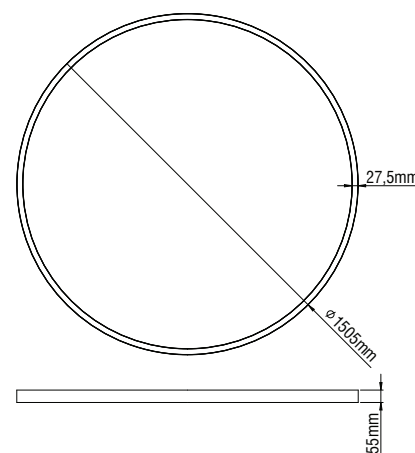
GALAXY CVR 1 / GALAXY CVR 1 TWO WAY



GALAXY CVR 2 / GALAXY CVR 2 TWO WAY



GALAXY CVR 3 / GALAXY CVR 3 TWO WAY

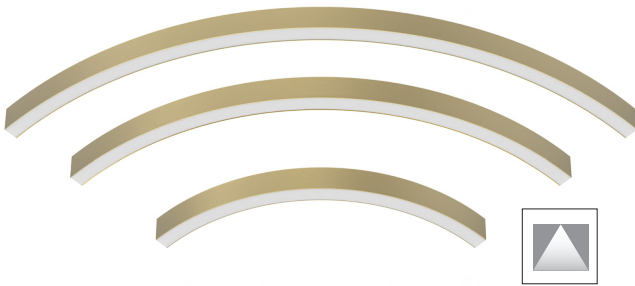


LED COLOUR CODES:	Colour Codes:
2 Warm 3 Neutral	0 Colours 1 White 2 Titan 3 Black

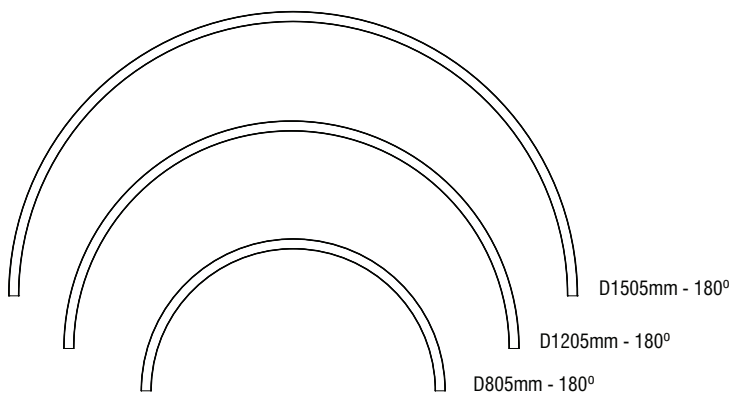
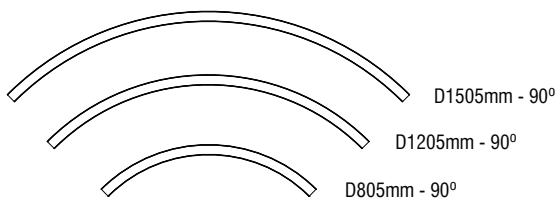
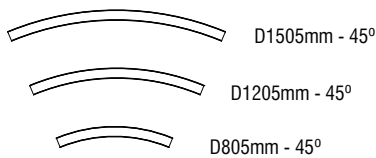
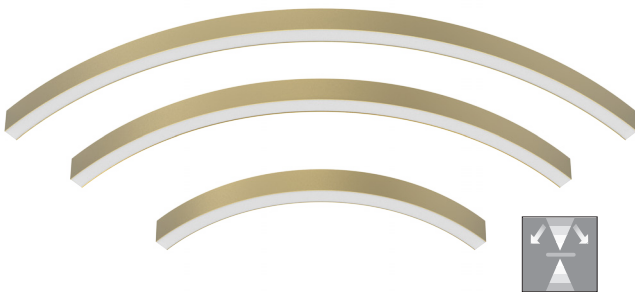
GALAXY CVR/GALAXY CVR-D

Decorative Lighting

GALAXY CVR SYSTEM D



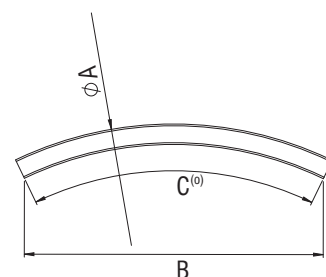
GALAXY CVR SYSTEM TWO WAY D



- Aluminium body, painted electrostatically in selected colour.
- Opal silicone cover.
- Suspension and power supply are not included.
- Luminous Efficacy:
144 Lm/W at 4000K - CRI: min. 90 / SDCM: 1
140 Lm/W at 3000K - CRI: min. 90 / SDCM: 1

Code	Description	Dimensions mm		
		∅A	B	C ^(o)
82092201	Galaxy CVR System D 805- 45° 5W	805 - 750	287	45
82092202	Galaxy CVR System D 1205- 45° 7W	1205 - 1150	440	45
82092203	Galaxy CVR System D 1505- 45° 9W	1505 - 1450	555	45
82092204	Galaxy CVR System D 805- 90° 10W	805 - 750	530	90
82092205	Galaxy CVR System D 1205- 90° 14W	1205 - 1150	813	90
82092206	Galaxy CVR System D 1505- 90° 18W	1505 - 1450	1025	90
82092207	Galaxy CVR System D 805-180° 19W	805 - 750	750	180
82092208	Galaxy CVR System D 1205-180° 29W	1205 - 1150	1150	180
82092209	Galaxy CVR System D 1505-180° 36W	1505 - 1450	1450	180

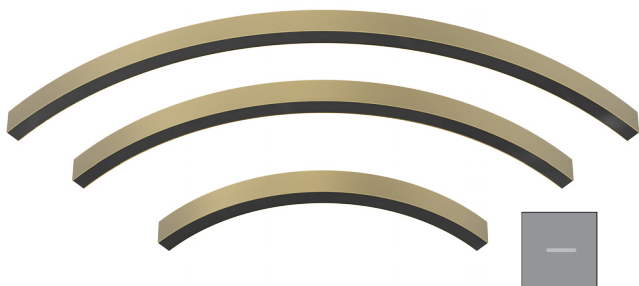
Code	Description	Dimensions mm		
		∅A	B	C ^(o)
82092210	Galaxy CVR System Two Way D 805- 45° 5W/ 5W	805 - 750	287	45
82092211	Galaxy CVR System Two Way D 1205- 45° 7W/ 7W	1205 - 1150	440	45
82092212	Galaxy CVR System Two Way D 1505- 45° 9W/ 9W	1505 - 1450	555	45
82092213	Galaxy CVR System Two Way D 805- 90° 10W/10W	805 - 750	530	90
82092214	Galaxy CVR System Two Way D 1205- 90° 14W/14W	1205 - 1150	813	90
82092215	Galaxy CVR System Two Way D 1505- 90° 18W/18W	1505 - 1450	1025	90
82092216	Galaxy CVR System Two Way D 805-180° 19W/19W	805 - 750	750	180
82092217	Galaxy CVR System Two Way D 1205-180° 29W/29W	1205 - 1150	1150	180
82092218	Galaxy CVR System Two Way D 1505-180° 36W/36W	1505 - 1450	1450	180



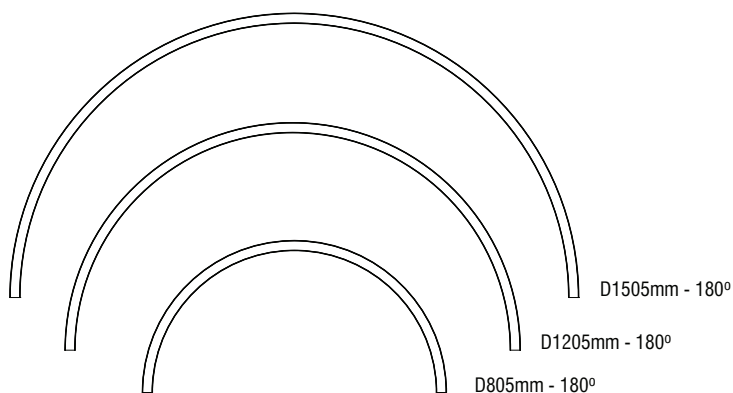
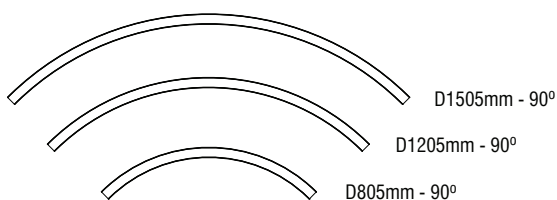
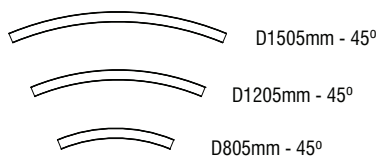
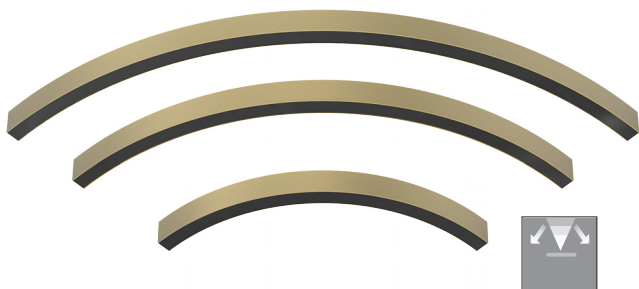
LED COLOUR CODES:	Colour Codes:
2 Warm 3 Neutral	0 Colours 1 White 2 Titan 3 Black

GALAXY CVR/GALAXY CVR-D

GALAXY CVR-D SYSTEM D



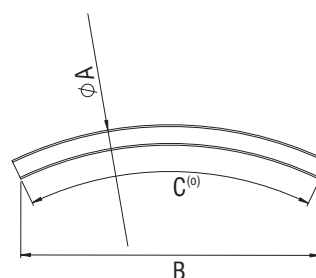
GALAXY CVR-D SYSTEM TWO WAY D



- Aluminium body, painted electrostatically in selected colour.
- Opal silicone cover for up light/ silicon black cover for down light.
- Suspension and power supply are not included.
- Luminous Efficacy:
144 Lm/W at 4000K - CRI: min. 90 / SDCM: 1
140 Lm/W at 3000K - CRI: min. 90 / SDCM: 1

Code	Description	Dimensions mm		
		∅A	B	C ⁽⁰⁾
82092301	Galaxy CVR-D System D 805- 45°	805 - 750	287	45
82092302	Galaxy CVR-D System D 1205- 45°	1205 - 1150	440	45
82092303	Galaxy CVR-D System D 1505- 45°	1505 - 1450	555	45
82092304	Galaxy CVR-D System D 805- 90°	805 - 750	530	90
82092305	Galaxy CVR-D System D 1205- 90°	1205 - 1150	813	90
82092306	Galaxy CVR-D System D 1505- 90°	1505 - 1450	1025	90
82092307	Galaxy CVR-D System D 805-180°	805 - 750	750	180
82092308	Galaxy CVR-D System D 1205-180°	1205 - 1150	1150	180
82092309	Galaxy CVR-D System D 1505-180°	1505 - 1450	1450	180

Code	Description	Dimensions mm		
		∅A	B	C ⁽⁰⁾
82092310	Galaxy CVR-D System Two Way D 805- 45° 5W	805 - 750	287	45
82092311	Galaxy CVR-D System Two Way D 1205- 45° 7W	1205 - 1150	440	45
82092312	Galaxy CVR-D System Two Way D 1505- 45° 9W	1505 - 1450	555	45
82092313	Galaxy CVR-D System Two Way D 805- 90° 10W	805 - 750	530	90
82092314	Galaxy CVR-D System Two Way D 1205- 90° 14W	1205 - 1150	813	90
82092315	Galaxy CVR-D System Two Way D 1505- 90° 18W	1505 - 1450	1025	90
82092316	Galaxy CVR-D System Two Way D 805-180° 19W	805 - 750	750	180
82092317	Galaxy CVR-D System Two Way D 1205-180° 29W	1205 - 1150	1150	180
82092318	Galaxy CVR-D System Two Way D 1505-180° 36W	1505 - 1450	1450	180

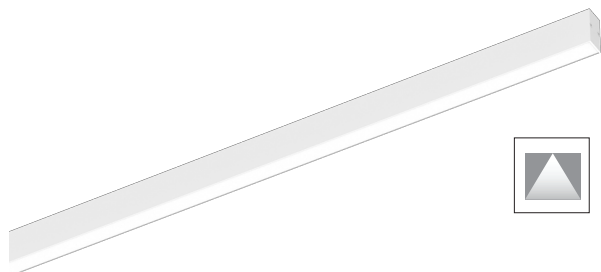


LED COLOUR CODES:		Colour Codes:			
2	Warm	0	Colours	1	White
3	Neutral	2	Titan	3	Black

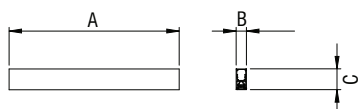
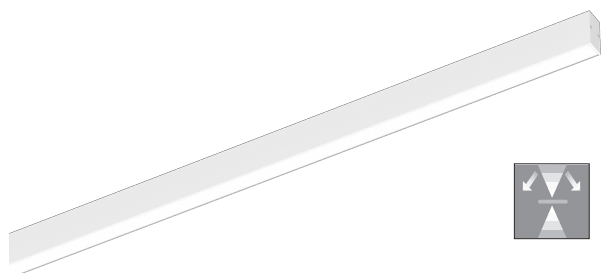
GALAXY CVR/GALAXY CVR-D

Decorative Lighting

GALAXY CVR SYSTEM L



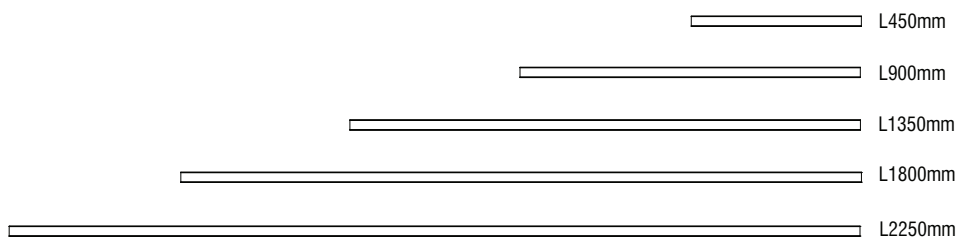
GALAXY CVR SYSTEM TWO WAY L



- Aluminium body, painted electrostatically in selected colour.
- Opal silicone cover.
- Suspension and power supply are not included.
- Luminous Efficacy:
144 Lm/W at 4000K - CRI: min. 90 / SDCM: 1
140 Lm/W at 3000K - CRI: min. 90 / SDCM: 1

Code	Description	Dimensions mm		
		A	B	C
82092401	Galaxy CVR System L 450 7W	450	27,5	55
82092402	Galaxy CVR System L 900 14W	900	27,5	55
82092403	Galaxy CVR System L 1350 20W	1350	27,5	55
82092404	Galaxy CVR System L 1800 27W	1800	27,5	55
82092405	Galaxy CVR System L 2250 34W	2250	27,5	55

Code	Description	Dimensions mm		
		A	B	C
82092406	Galaxy CVR System Two Way L 450 7W/ 7W	450	27,5	55
82092407	Galaxy CVR System Two Way L 900 14W/14W	900	27,5	55
82092408	Galaxy CVR System Two Way L 1350 20W/20W	1350	27,5	55
82092409	Galaxy CVR System Two Way L 1800 27W/27W	1800	27,5	55
82092410	Galaxy CVR System Two Way L 2250 34W/34W	2250	27,5	55

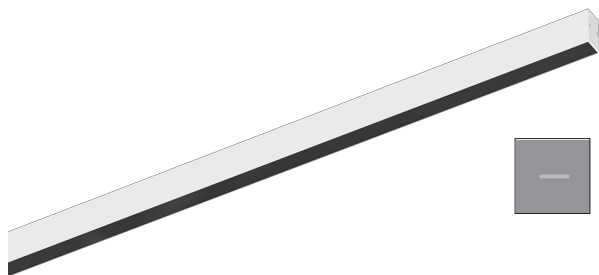


LED COLOUR CODES:	Colour Codes:
2 Warm 3 Neutral	0 Colours 1 White 2 Titan 3 Black

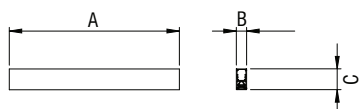
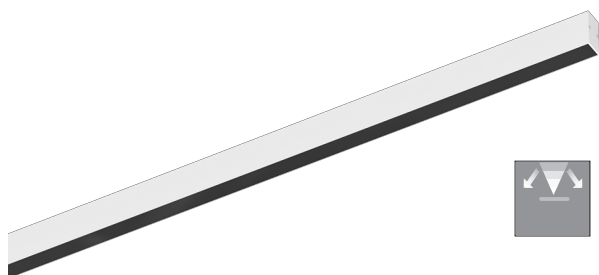
GALAXY CVR/GALAXY CVR-D

Decorative Lighting

GALAXY CVR-D SYSTEM L



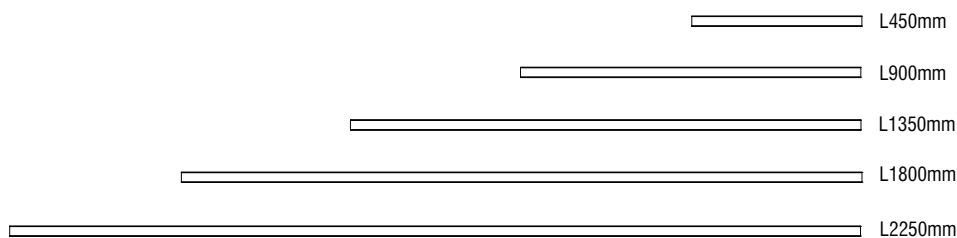
GALAXY CVR-D SYSTEM TWO WAY L



- Aluminium body, painted electrostatically in selected colour.
- Opal silicone cover for up light/ silicon black cover for down light.
- Suspension and power supply are not included.
- Luminous Efficacy:
144 Lm/W at 4000K - CRI: min. 90 / SDCM: 1
140 Lm/W at 3000K - CRI: min. 90 / SDCM: 1

Code	Description	Dimensions mm		
		A	B	C
82092501	Galaxy CVR-D System L 450	450	27,5	55
82092502	Galaxy CVR-D System L 900	900	27,5	55
82092503	Galaxy CVR-D System L 1350	1350	27,5	55
82092504	Galaxy CVR-D System L 1800	1800	27,5	55
82092505	Galaxy CVR-D System L 2250	2250	27,5	55

Code	Description	Dimensions mm		
		A	B	C
82092506	Galaxy CVR-D System Two Way L 450 7W	450	27,5	55
82092507	Galaxy CVR-D System Two Way L 900 14W	900	27,5	55
82092508	Galaxy CVR-D System Two Way L 1350 20W	1350	27,5	55
82092509	Galaxy CVR-D System Two Way L 1800 27W	1800	27,5	55
82092510	Galaxy CVR-D System Two Way L 2250 34W	2250	27,5	55

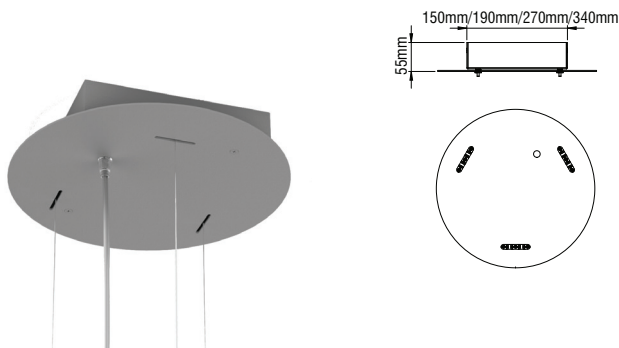


LED COLOUR CODES:	Colour Codes:
2 Warm 3 Neutral	0 Colours 1 White 2 Titan 3 Black

GALAXY CVR/GALAXY CVR-D

Decorative Lighting

GALAXY ROSETTE AND SUSPENSION



Colour Codes:

0 Colours 1 White 2 Titan 3 Black

- For pendant use.
- Body from aluminium profile.
- Driver and suspensions not included.

Code	Description
82050	Rosette Ø250*
82051	Rosette Ø300*
82052	Rosette Ø420**
82053	Rosette Ø500***
900101	Single Suspension Morfi 1m (3 pieces needed)****
900103	Single Suspension Morfi 2m (3 pieces needed)****
900104	Single Suspension Morfi 3m (3 pieces needed)****
900105	Single Suspension Morfi 4m (3 pieces needed)****

- * Can fit up to 9 single suspensions.
- ** Can fit up to 12 single suspensions.
- *** Can fit up to 15 single suspensions.
- **** For installation at the rosette

DRIVERS

Code	Description
800099	Driver 50W 24V DC
800098	Driver 100W 24V DC
800058	Driver 150W 24V DC
800150	Driver 250W 24V DC
800018	Driver 60W 24V DC Dimmer Dali / Push Button
800017	Driver 100W 24V DC Dimmer Dali / Push Button
800108	Driver 150W 24V DC Dimmer Dali / Push Button
800101	Driver 60W 24V DC Dimmer Phase cut
800102	Driver 100W 24V DC Dimmer Phase cut

ROSETTE AND DRIVER SELECTION

DESCRIPTION		ELECTRONIC		DIMMER		
GALAXY CVR	GALAXY CVR TWO WAY	ROSETTE/CODE	DRIVER/CODE	ROSETTE/CODE	DRIVER (Dali/ Push Button) /Code	DRIVER (Phase Cut) /Code
Galaxy CVR 1 38W		Ø250/82050x	50W/800099	Ø300/82051x	60W/800018	60W/800101
Galaxy CVR 2 57W		Ø250/82050x	100W/800098	Ø420/82052x	100W/800017	100W/800102
Galaxy CVR 3 71W		Ø250/82050x	100W/800098	Ø420/82052x	100W/800017	100W/800102
	Galaxy CVR 1 TWO WAY 38W/38W	Ø300/82051x	2x50W/2x800099	Ø420/82052x	2x60W/2x800018	2x60W/2x800101
	Galaxy CVR 2 TWO WAY 57W/57W	Ø500/82053x	2x100W/2x800098	Ø420/82052x	2x100W/2x800017	2x100W/2x800102
	Galaxy CVR 3 TWO WAY 71W/71W	Ø500/82053x	2x100W/2x800098	Ø420/82052x	2x100W/2x800017	2x100W/2x800102

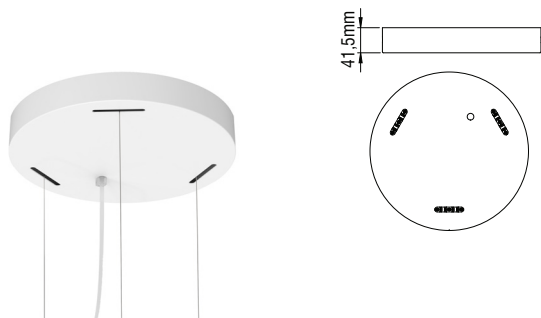
Colour Codes:

0 Colours 1 White 2 Titan 3 Black

GALAXY CVR/GALAXY CVR-D

Decorative Lighting

GALAXY ROSETTE MASIF AND SUSPENSION



Colour Codes:

0 Colours 1 White 2 Titan 3 Black

- For pendant use.
- Body from aluminium.
- Driver and suspensions not included.

Code	Description
82055	Rosette Masif Ø260*
82056	Rosette Masif Ø300**
82057	Rosette Masif Ø430***
900101	Single Suspension Morfi 1m (3 pieces needed)****
900103	Single Suspension Morfi 2m (3 pieces needed)****
900104	Single Suspension Morfi 3m (3 pieces needed)****
900105	Single Suspension Morfi 4m (3 pieces needed)****

- * Can fit up to 9 single suspensions.
- ** Can fit up to 12 single suspensions.
- *** Can fit up to 18 single suspensions.
- **** For installation at the rosette

DRIVERS

Code	Description
800099	Driver 50W 24V DC
800098	Driver 100W 24V DC
800058	Driver 150W 24V DC
800150	Driver 250W 24V DC
800018	Driver 60W 24V DC Dimmer Dali / Push Button
800017	Driver 100W 24V DC Dimmer Dali / Push Button
800108	Driver 150W 24V DC Dimmer Dali / Push Button
800101	Driver 60W 24V DC Dimmer Phase cut
800102	Driver 100W 24V DC Dimmer Phase cut

ROSETTE MASIF AND DRIVER SELECTION

DESCRIPTION		ELECTRONIC		DIMMER		
GALAXY CVR	GALAXY CVR TWO WAY	ROSETTE/CODE	DRIVER/CODE	ROSETTE/CODE	DRIVER (Dali/Push Button) /Code	DRIVER (Phase Cut) /Code
Galaxy CVR 1 38W		Ø260/82055x	50W/800099	Ø260/82055x	60W/800018	60W/800101
Galaxy CVR 2 57W		Ø260/82055x	100W/800098	Ø300/82056x	100W/800017	100W/800102
Galaxy CVR 3 71W		Ø260/82055x	100W/800098	Ø300/82056x	100W/800017	100W/800102
	Galaxy CVR 1 TWO WAY 38W/38W	Ø300/82056x	2x50W/2x800099	Ø300/82056x	2x60W/2x800018	2x60W/2x800101
	Galaxy CVR 2 TWO WAY 57W/57W	Ø430/82057x	2x100W/2x800098	Ø300/82056x	2x100W/2x800017	2x100W/2x800102
	Galaxy CVR 3 TWO WAY 71W/71W	Ø430/82057x	2x100W/2x800098	Ø300/82056x	2x100W/2x800017	2x100W/2x800102

Colour Codes:

0 Colours 1 White 2 Titan 3 Black

GALAXY CVR/GALAXY CVR-D

Decorative Lighting

GALAXY END CAP



- End Cap made from aluminium in selected colour.

Code	Description
8209401	Galaxy End Cap (pair)

SINGLE SUSPENSION



- For pendant use.

Code	Description
900112	Single Suspension 1m*
900114	Single Suspension 2m*
900116	Single Suspension 3m*

* For installation at the ceiling

SURFACE ROSETTE



- Body from aluminium profile.
- Square or round version.

Code	Description
8209405	Surface Rosette Ø100
8209406	Surface Rosette 100x100

RECESSED ROSETTE



- Body from aluminium profile.
- Square or round version.

Code	Description
8209407	Recessed Rosette Ø100
8209408	Recessed Rosette 100x100

Colour Codes:

0 Colours 1 White 2 Titan 3 Black

GALAXY CVR/GALAXY CVR-D

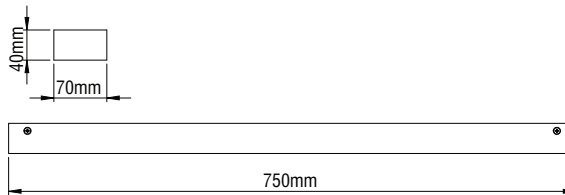
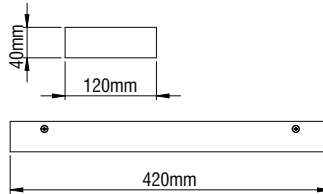
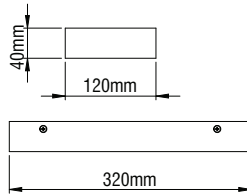
ROSETTE LINEAR



- Aluminium body.
- Driver and suspension not included.

Code	Description
8209402	Rosette Linear L 320mm*
8209403	Rosette Linear L 420mm*
8209404	Rosette Linear L 750mm*

* Can fit one piece of Morfi Suspension



ROSETTE AND DRIVER SELECTION

DESCRIPTION Rosette / Code	ELECTRONIC DRIVER/Code	DIMMER	
		DRIVER (Dali/Push Button) /Code	DRIVER (Phase Cut) /Code
Rosette Linear L320mm/8209402	2x 60W/ 2x800097	2x 60W/ 2x800018	2x60W/ 2x800101
Rosette Linear L420mm/8209403	2x180W/ 2x800167	2x150W/ 2x800108	2x100W/ 2x800102
Rosette Linear L750mm/8209404	2x180W/ 2x800167	2x150W/ 2x800108	2x100W/ 2x800102

Colour Codes:

0 Colours 1 White 2 Titan 3 Black